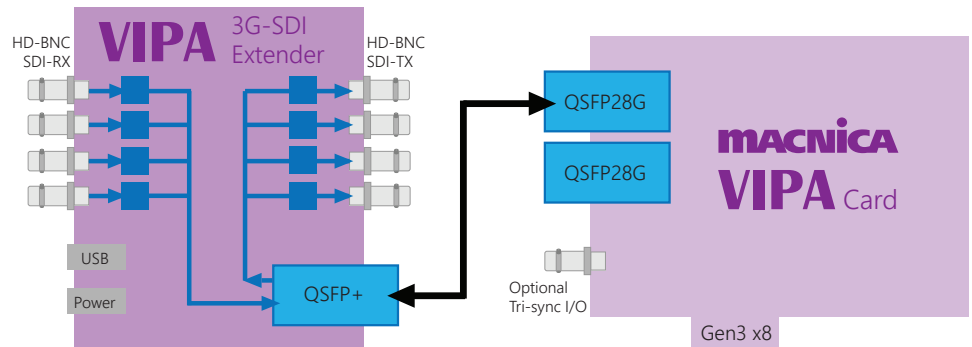


VIPA™ 3G-SDI Extender

Interfaces 3G-SDI video to
Macnica's VIPA™ PCIe video
transport card



- Supports up to four 3G-SDI Tx and four 3G-SDI Rx
- Connects to VIPA™ through a single QSFP port
- Allows media-conversion from SDI to IP protocols

Macnica's VIPA™ 3G-SDI Extender product allows up to four 3G, HD or SD SDI signals to be received and /or transmitted to Macnica's VIPA video transport card.

The VIPA extender is a separate box enclosure with it's own power supply and a USB port to allow user configuration of the SDI transceivers if required.

- Supports 4 x 3G-SDI, HD or SD SDI full duplex
- Connects to VIPA through a single QSFP cable
- Universal power supply for operation globally
- USB port allows manual configuration of SDI transceivers

The extender product works with all of Macnica's VIPA video transport products allowing SDI to be brought into an IP environment on both 10G VIPA and 25G VIPA networks.

The extender box allows media conversion from and to 3G-SDI from all of the standard IP transport protocols including:

- ST2022-6
- Sony NMI
- ST2110
- Aspen

The product allows VIPA IP transport cards to be used in a 'mixed' IP / SDI environment where it is desired to support both SDI and IP based equipment.

The box comes with a universal power supply and works with default settings 'out of the box'. In the rare cases where the user wishes to tune the SDI settings a USB port is provided to allow manual configuration.

The 3G extender box has been fully certified for use in all major markets.

Revolutionizing Live Video Transport

Macnica Technology

380 Stevens Ave.
Solana Beach CA 92075
+1-858-914-2649
videotransport@macnica.com

macnicatech.com

MACNICA